

omega
altise

**AE NOIR 30
AE NOIR 40
Elite Series Desk Fans**

**Instruction
Manual**



Important Safety Instructions

1. Read all instructions.
2. Disconnect the power plug before dismantling, assembling or before cleaning.
3. Avoid touching mobile parts of the unit.
4. Make sure the fan is on a dry and even surface.
5. Never insert fingers, pencils or any other objects through the guards whenever the power plug is connected, especially while running.
6. The appliance is not intended for use by young children or infirm persons unless they have been adequately supervised by a responsible person to ensure that they can use the appliance safely.
7. Young children or infirm persons should be supervised to ensure that they do not play with the appliance.
8. Do not use the appliance for any other purpose than its intended use.
9. The fan must not be used if the guards are not fastened according to instructions.
10. When the power cord is damaged, it must be replaced by the manufacturer or its service agent or a similarly qualified person in order to avoid a hazard.
11. Do not use your appliance with an extension cord unless it has been checked and tested by a qualified electrician or electrical supplier.

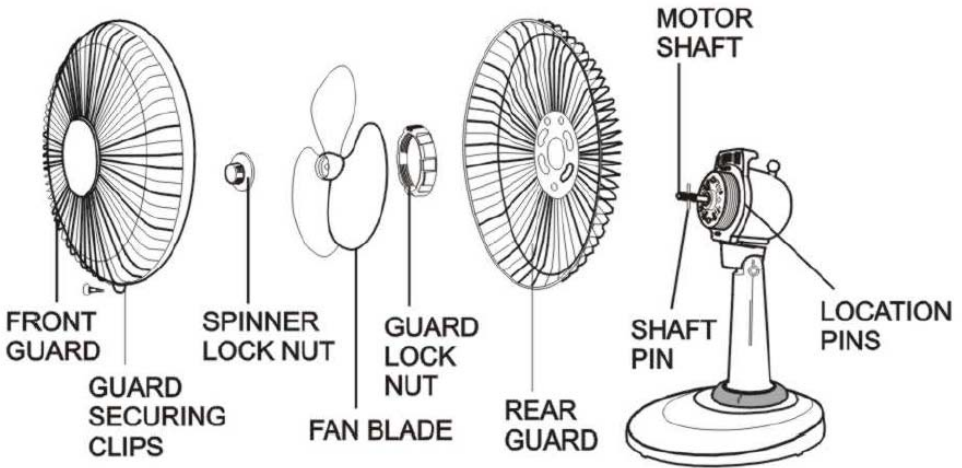
Read all instructions before using this unit. Keep them for future reference.

Specifications

Model	AE NOIR 30	AE NOIR 40
Rated Voltage	220-240V / 50Hz	
Watts	45W	60W
Controls	Manual twist control switch	

Settings	3 speed	
Fan blade size	30cm	40cm
Tilt action	Tilting fan head	
Oscillation	Oscillating fan head	
Warranty	2 year replacement	

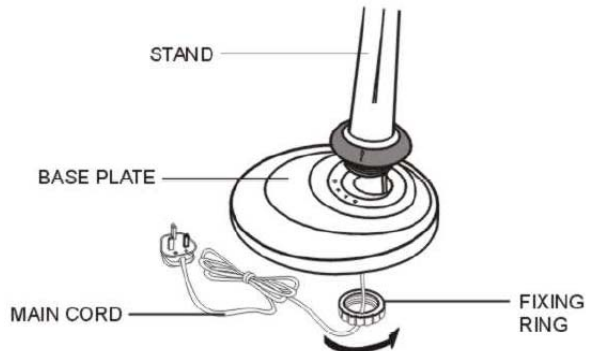
Parts List



Assembly Instructions

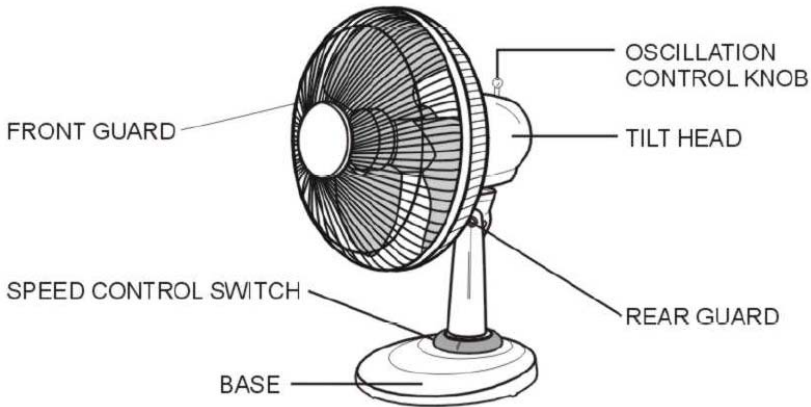
Base Assembly

1. Remove all items of packaging from the fan.
2. Remove the fixing ring from the bottom of the fan stand.
3. Put the main cord through the hole in the base plate and fit the stand into the hole.
4. Pass the main cord through the fixing ring and crew it on to the stand. Do not over tighten the locking nut.
5. Fix the main cord into the cord track on the underneath side of the base plate.



Fan Head Assembly

1. Remove the spinner lock nut from the motor shaft by turning it clockwise. Then remove the guard lock nut by turning it anti-clockwise.
2. Place the rear guard into position, ensuring that it is aligned with the location pins and fix the guard into position by replacing the guard lock nut tightly by hand. Do not force the locking nut.
3. Insert the blade onto the motor shaft by matching the shaft pin slots in the blade with the shaft pin.
4. Fix the blade into place by gently hand tightening the spinner lock nut onto the motor shaft in an anti-clockwise direction. Do not over tighten.
5. Loosen the clip screw and open the guard securing clip on the bottom of the front guard. Press the rear and front guards together until you hear them snap together and secure by closing the guard securing clip and tightening the clip screw.



Operating Instructions

1. Use in a dry place, free of excessive humidity and water.
2. This unit is operated by the manual control panel on the fan.

SPEED ADJUSTMENT: Turn the ring switch to control the air flow speed.

0 – OFF 1 – LOW 2 – MEDIUM 3 – HIGH

OSCILLATION: Press the oscillation control knob down to allow the tower fan to begin oscillation. Press the button again to keep the tower fan stationary.

TILTING: This desk fan incorporates an angular tilt option which can be adjusted by a control knob located underneath the motor housing. Turn the control knob in a counter-clockwise direction to make the desired tilt adjustment, then tighten the control knob.

Care and Maintenance

1. Always disconnect the cord from the electrical outlet when cleaning this unit.
2. Light accumulated dust may be removed from the fan with a soft cloth or vacuum cleaner using the dusting brush attachment.
3. Wipe the exterior surfaces of the fan occasionally with a cloth moistened (not dripping wet) with a mild soap solution. Dry the case thoroughly with a soft dry cloth before operating the unit.
4. Avoid the use of gasoline, benzene, thinner etc as they may result in damage to the fan.
5. Store the unit in a clean dry place when not in use.



CAUTION! Do not immerse the fan in water or allow water to drip into the interior of the fan housing as this could create a fire or electric shock hazard.



WARNING! Do not attempt to open or repair the fan yourself. Doing so could void the warranty and cause damage or personal injury.

Omega Altise products are distributed in Australia by MEA,
(A Division of Hagemeyer Brands Australia Pty Ltd)

ABN 28 001 375 686

Locked Bag 4013, Kingsgrove NSW 2208

Phone: 1300 739 033

Fax: 1800 838 899

Email: customerservice@meappliances.com.au

Web: meappliances.com.au