

omega
altise

**AP24MT, AP24ET,
AP15ET, AP10ET**

Convection Panel Heaters



**Instruction
Manual**

Important Safety Instructions

1. Disconnect the power plug before dismantling, assembling or before cleaning.
2. Make sure the heater is on a dry and even surface.
3. Always use the heater in an upright position.
4. Do not insert or allow foreign objects to enter any ventilation or exhaust opening, as this may cause an electric shock, fire or damage to the appliance.
5. This appliance is not intended for use by persons (including children) with reduced physical, sensory or mental capabilities, or lack of experience and knowledge, unless they have been given supervision or instruction concerning use of the appliance by a person responsible for their safety.
6. Children should be supervised to ensure that they do not play with the appliance.
7. The heater must not be located immediately below a socket-outlet;
8. Do not use this heater in the immediate surroundings of a bath, a shower, or a swimming pool;
9. If the supply cord is damaged, it must be replaced by the manufacturer, its service agent, or similarly qualified persons in order to avoid a hazard;
10. Do not use your appliance with an extension cord unless it has been checked and tested by a qualified electrician or electrical supplier.
11. Do not use the appliance for any other purpose than its intended use.
12. Do not position the appliances in close proximity to curtains or other combustible materials. Keep combustible material such as furniture, cushions, bedding, paper, clothes, curtains etc. at least 1.0m away from the heater.
13. Do not operate in areas where gasoline, paint or other flammable liquids are used or stored.
14. Do not use the appliance in rooms less than 4m² area.

CAUTION: In order to avoid a hazard due to inadvertent resetting of the thermal cutout, this appliance must not be supplied through an external switching device such as a timer, or connected to a circuit that is regularly switched on and off by the utility.

WARNING: IN ORDER TO AVOID OVERHEATING, DO NOT COVER THIS HEATER

Read all instructions before using this unit. Keep them for future reference.

Specifications

Model	AP24MT	AP24ET	AP15ET	AP10ET
Rated Voltage	240V / 50Hz	240V / 50Hz	240V / 50Hz	240V / 50Hz
Watts	2400W	2400W	1500W	1000W
Controls	Manual	Manual	Manual	Manual
Thermostat	Mechanical	Electronic (5-30°)	Electronic (5-30°)	Electronic (5-30°)
Heating Element	Sheathed heating element with aluminium diffuser (safe, silent and long-lasting)			
24hr Timer	✓	✓	✓	✓
Wall Mountable	✓	✓	✓	✓
Castors	✓	✓	✓	✓
Safety Features	Safety cut-out; Control box cover; Lockable castors	Safety cut-out; Control box cover; Lockable castors	Safety cut-out; Control box cover; Lockable castors	Safety cut-out; Control box cover; Lockable castors
IP Status	IP24	IP24	IP24	IP24
Measurements (l x h x d mm)	1000 x 440 x 105	1000 x 440 x 105	740 x 440 x 105	580 x 440 x 105
Nett Weight (kg)	8.2	8.0	6.3	4.8
Warranty	7 year repair / replacement	7 year repair / replacement	7 year repair / replacement	7 year repair / replacement

M: mechanical thermostat

E: electronic thermostat

T: timer

Assembly Instructions

Remove all items of packaging from the panel. As this convector panel heater is designed to be wall mounted OR freestanding please follow the below instructions according to your choice:

TO WALL MOUNT THE PANEL

Where to install the heater?

1. Ensure the safety zones (shown in mm) are kept free (see Figure 1).
2. The panel convector must not be installed immediately below a wall socket. The heater must be connected to a socket outlet or permanent terminal box at least 10cm to one side of the heater (see Figure 2).
3. If the heater is installed in the Bathroom or in a humid area, the socket outlet or permanent terminal box must conform to the IP24 requirement (please consult an electrician for further details).
4. The panel convector must not be installed in a draught likely to affect the control settings (under a ventilating fan, etc.)

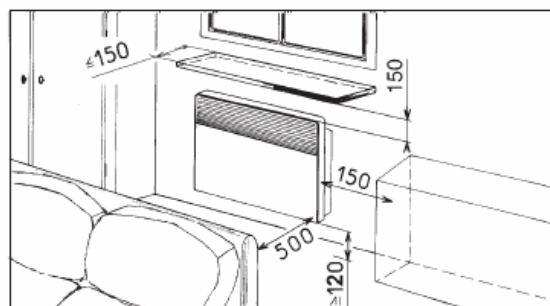


Figure 1.

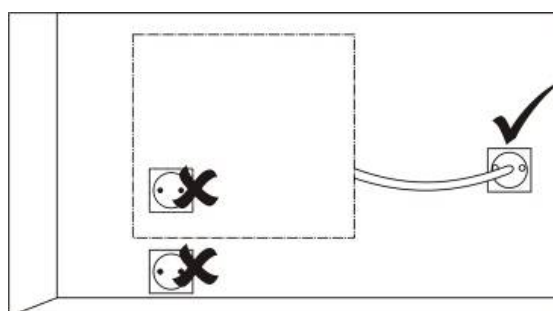


Figure 2.

Attaching the wall mounting bracket

What you will need:

1. Screwdriver
2. Pencil/pen to mark the drill holes on the wall
3. Drill
4. 4 x screws for fixing (Suggest 4mm expansion screws for most installations).

IMPORTANT: Only use the wall mounting bracket supplied with the unit. For your convenience, the wall mounting bracket is oriented centrally on the back of the unit.

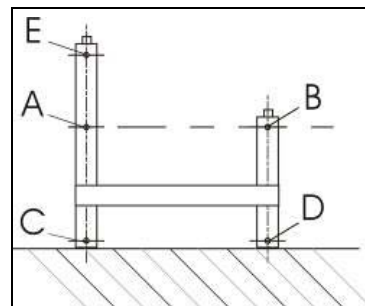


Figure 3.

1. Loosen the small screw used to fix the wall mounting bracket to the back of the unit located on the top right hand side looking from the back. Place to one side.
2. Slide the wall mounting bracket down and away from the unit.
3. Using the wall mounting bracket as a template for positioning, place the bracket on the bottom of the wall. Mark the screw-holes through the holes marked **A** and **B** as shown in Figure 3.
4. Raise the bracket so that the holes marked **C** and **D** are aligned with the marks already made on the wall in Step 3. Mark the upper holes through holes **E** and **B** as shown in Figure 4.
5. Drill the four holes into the wall as marked. 4mm expansion screws are suggested for use to secure the wall-mounting bracket to the wall.
6. The unit can now be hooked onto the wall mounting bracket through the four slots on the back. Please refer to the Figure 5.
7. Replace and tighten the small screw used to fix the wall mounting bracket to the back of the unit.
8. To remove the unit reverse the above steps.

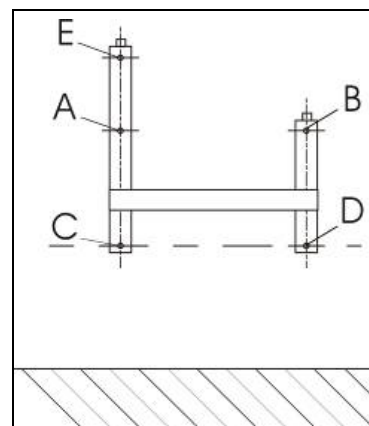


Figure 4.

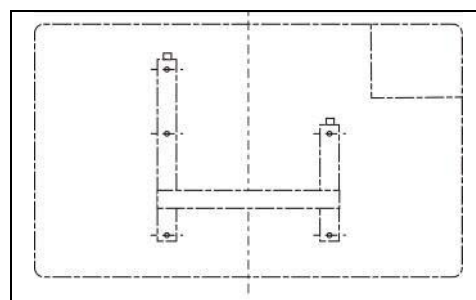


Figure 5.

TO ATTACH THE CASTORS TO USE THE PANEL AS A PORTABLE HEATER

Parts list



Support (2pcs)

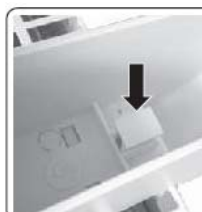


Castor (4pcs)

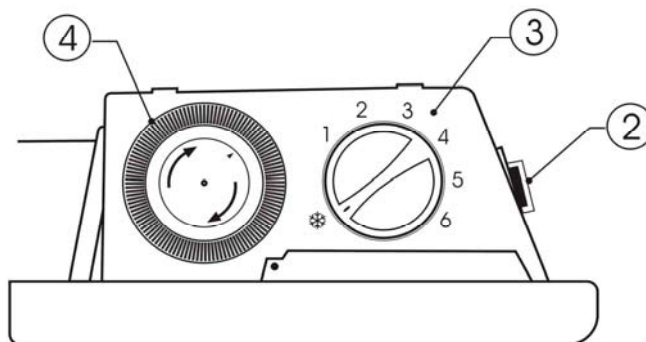
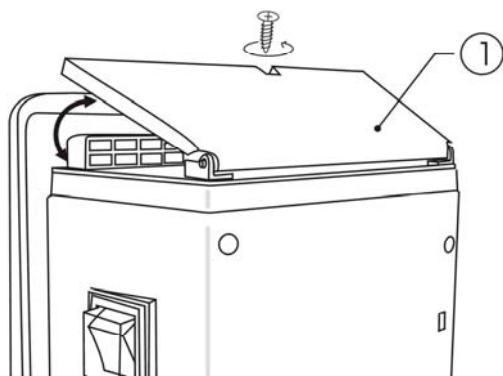


Clip (2pcs)

1. Press 2 castors into the bottom of each of the supports as shown to the right
2. Turn the body of the unit upside down, with the front of the unit facing away from you.
3. Place the support over the base so that the securing hooks line up with the grille on the bottom
4. Slide the support towards to front of the unit making sure that both lines of securing hooks are firmly in place over the base cut outs.
5. Secure in place with the clip. Some force may be necessary.



Operating Instructions



Preparation

Remove the screw that is used to secure the cover (1) to the control panel in an anti-clockwise direction.

Switching on the Unit

The unit may be switched on (setting I) or off (setting O) by using the switch (2) on the right hand side panel.

Heating

Turn the temperature selector (3) clockwise to select the required temperature. The heater will warm the room uniformly and quickly. Air enters the heater from below where it is heated and then exits through the grid at the top of the heater.

The room temperature can be set between approx. 5 °C and 30 °C. The thermostat switches the heater off once the set temperature has been reached and switches on and off intermittently to maintain the required temperature.



During the first operation, the heater may give off a smell. Ensure that the room is well ventilated (for example, open a window).



The clock face turns CLOCKWISE ONLY. Forcing the clock face in the other direction will destroy timing gears and void the product warranty

Timer setting

Each unit comes with a 24 hour timer (4), which overrides the heat switches and thermostat. However, the unit must be connected with the power supply and switched on for the timer to work.

Manual operation

If you do not wish to use the timer function you must push all of the time segments towards the centre and you can manually operate the unit.

If all the time segments are pushed out, the unit will not operate.

Automatic operation

For the unit to operate automatically, you will need to have the unit switched on and the current time set. To do this you will need to rotate the clock face clockwise, until the correct time is aligned with the indicator arrow at the top.

NB: The timer's rotating face acts like a 24 hour clock. The number 12 is 12pm Noon and the number 24 represents 12am Midnight.

For times when you wish the heater to switch ON, push the corresponding time segment towards the centre. Each time segment represents around 15 minutes, so if you want the heater continuously ON for 2 hours, push 8 segments towards the centre face.

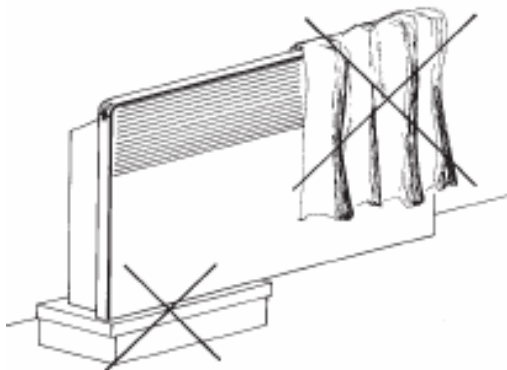
You can set as many ON periods as you like within a 24hr period. These settings will repeat every day until changed.

When the power is switched OFF, or during a power failure, the timer will stop functioning. The correct time must be reset when power is restored.

Safety Notes

Control Panel Cover

It is recommended that you use the small screw provided to secure the control panel cover in place to avoid children from touching the controls, or random operation of the unit.



Air outlet

The air outlets must not be obstructed.

For safety reasons the upper and lower air grilles must never be covered with items such as washing nor obstructed by items in too close proximity

Objects should not be leant against the unit nor placed between the unit and the wall.

Never leave combustible materials, such as wood, paper, textiles or flammable items such as wax, petrol, aerosol cans etc. in the vicinity of the warm air outlet.

Safety thermal cut-out

The panel convector heater is equipped with a safety cut-out that switches the heater off if it overheats.

Once the heater has switched off due to overheating, remove the cause of the fault, e. g. blocked air grids.

When the heater has cooled down for several minutes it will restart automatically. If the heater then cuts off again, switch off the heater and call an authorized serviceman

Care and Maintenance

1. Always disconnect the cord from the electrical outlet before cleaning the unit.
2. Light accumulated dust may be removed from the upper and lower grilles with a soft cloth or vacuum cleaner using the dusting brush attachment.
3. Wipe the exterior surfaces of the unit occasionally with a cloth moistened (not dripping wet) with a mild soap solution. Dry the surfaces thoroughly with a soft dry cloth before operating.
4. Avoid the use of gasoline, benzine, thinner etc as they may result in damage to the unit.
5. If keeping the unit as a portable heater, please store the unit in a clean dry place when not in use.



CAUTION! Do not immerse the heater in water or allow water to drip into the interior of the heater housing as this could create a fire or electric shock hazard.



WARNING! Do not attempt to open or repair the heater yourself. Doing so could void the warranty and cause damage or personal injury.

Omega Altise products are distributed in Australia by MEA,
 (A Division of Hagemeyer Brands Australia Pty Ltd)
 ABN 28 001 375 686
 Locked Bag 4013, Kingsgrove NSW 2208
 Phone: 1300 739 033
 Fax: 1800 838 899
 Email: customerservice@meappliances.com.au
 Web: meappliances.com.au