

omega
altise

O40GP
40cm Luxury
Pedestal Fan



Instruction
Manual

Important Safety Instructions

1. Read all instructions.
2. Disconnect the power plug before dismantling, assembling or before cleaning.
3. Avoid touching mobile parts of the fan.
4. Make sure the fan is on a dry and even surface.
5. Never insert fingers, pencils or any other objects through the guards whenever the power plug is connected, especially while running.
6. The appliance is not intended for use by young children or infirm persons unless they have been adequately supervised by a responsible person to ensure that they can use the appliance safely.
7. Young children or infirm persons should be supervised to ensure that they do not play with the appliance.
8. Do not use the appliance for any other purpose than its intended use.
9. The fan must not be used if the guards are not fastened according to instructions.
10. When the power cord is damaged, it must be replaced by the manufacturer or its service agent or a similarly qualified person in order to avoid a hazard.
11. Do not use your appliance with an extension cord unless it has been checked and tested by a qualified electrician or electrical supplier.

Read all instructions before using this unit. Keep them for future reference.

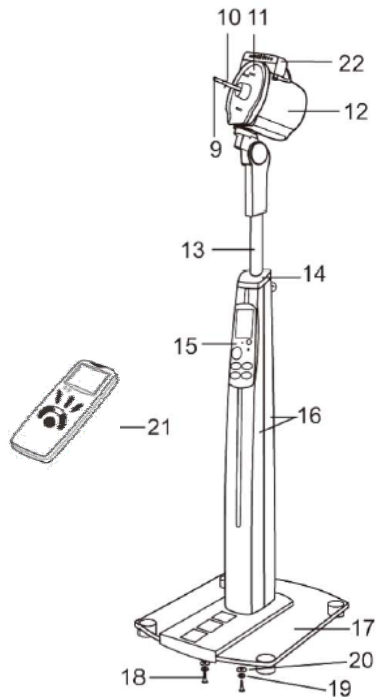
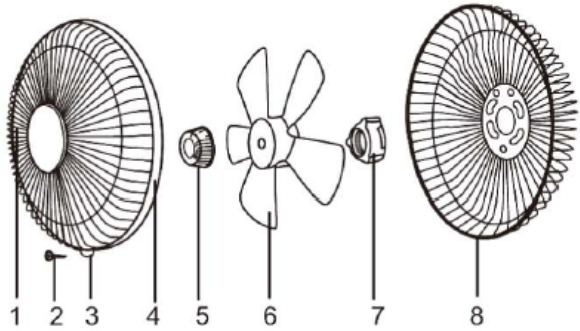
Specifications

Model	O40GP
Rated Voltage	220-240V / 50Hz
Watts	60W
Controls	Electronic / Remote
Timer	Timer Off

Settings	3 speed; Normal, Wise, Sleep and Natural Breezes
Fan blade size	40cm
Tilt action	Tilting fan head
Oscillation	Oscillating fan head
Warranty	2 year replacement

Parts List

1. Front Guard
2. Guard screw
3. Guard clip
4. Guard closing ring
5. Blade cap
6. Blade
7. Clamping nut
8. Rear guard
9. Motor shaft
10. Motor base
11. Pillar
12. Rear motor cover
13. Adjustable stand tube
14. Fixing screw
15. Control panel
16. Base stand
17. Base plate
18. Base screw
19. Metal washer
20. Paper washer
21. Remote control
22. Ionizer



Assembly Instructions

1. Remove all items of packaging from the fan.
2. Turn the base stand (16) upside down.
3. Position the glass base plate (17) onto the bottom of the base stand and fix in place using the metal washers (19), paper washers (20) and base screws (18) provided. Turn the fan back to an upright position.
4. Fit the rear guard (8) onto the motor base (10) aligning with the 3 pillars (11). Secure with the clamping nut (7) in a clockwise direction.
5. Slip the fan blade (6) onto the motor shaft, fixing into place with the blade cap (5) in an anti-clockwise direction.
6. Attach the front guard centre hook to the middle of the rear guard and snap together by pressing the two guards together until you hear a click.
7. Close the guard clip (3) and secure with the guard screw (2). Place the back grille into position, ensuring that it is aligned with the locating lugs (see Figure 2). If this is done correctly, the carry handle on the grille will be at the top.



Operating Instructions

1. Use in a dry place, free of excessive humidity and water.
2. This unit can be operated by the control panel on the fan or by remote control in the same manner.

ON: Press the ON/1 2 3 button to switch the fan on

OFF: Press the OFF button to switch the fan off.

FAN SPEED: Press the ON/1 2 3 button to adjust the wind speed:

1 – LOW

2 – MEDIUM

3 – HIGH



Control panel on fan

MODE: Press the MODE button to select Normal, Wise, Sleep or Natural Breeze. The LCD will display TEMP for Wise, SLEEP for Sleep and BREEZE for Natural Breeze. Press the button a fourth time to turn the function off. The fan will work normally.


When **Sleep** or **Breeze** winds are selected the fan will continually cycle through high, medium and low speed settings.




Wise or “TEMP” wind: Operates and adjusts the fan automatically from high, medium and low speed according to room temperature as detailed below:

- Over 35°C the speed will be adjusted to high speed.
- Between 32-35°C the speed will be adjusted to high natural speed.
- Between 29-32°C the speed will be adjusted to medium speed.
- Between 26-29°C the speed will be adjusted to medium natural speed.
- Between 23-26°C the speed will be adjusted to low speed.
- Between 20-23°C the speed will be adjusted to low natural speed.
- Below 20°C the fan will automatically be stopped.

TIMER: Press the clock (🕒) button to set the time on the fan. The running time can be set from 1 hour to 8 hours. Each time the button is pressed the time increases. On the fifth time the timer function will be switched off.

1HR → 2HR → 4HR → 8HR → TIMER OFF

OSCILLATION: Press the  button to select the type of oscillation. To stop the oscillation press the button until no “OSC” icons can be seen. There are 3 setting for oscillation:

- Horizontal movement 
- Vertical movement 
- Double movement 

HEIGHT: Loosen the fixing screw (14) to adjust the height of the fan.

TILTING: The head of the fan can be tilted upwards or downwards by moving the rear motor cover (always switch off the fan before making any adjustment).

ION: An ion generator is mounted on the rear of the motor cover and will release negative ions to help clean the air. This ionizer will work continuously while the fan is switched on.

Remote Control

1. To function properly, the remote control must have an unobstructed path to the receiver on the fan and be within 3.5 meters.
2. Slide out the battery compartment cover, insert two AAA batteries and close the battery cover.

Care and Maintenance

1. Always disconnect the cord from the electrical outlet when cleaning your fan.
2. Light accumulated dust may be removed from the fan with a soft cloth or vacuum cleaner using the dusting brush attachment.
3. Wipe the exterior surfaces of the fan occasionally with a cloth moistened (not dripping wet) with a mild soap solution. Dry the case thoroughly with a soft dry cloth before operating the fan.
4. Avoid the use of gasoline, benzene, thinner etc as they may result in damage to the fan.
5. Store the fan in a clean dry place when not in use.



CAUTION! Do not immerse the fan in water or allow water to drip into the interior of the fan housing as this could create a fire or electric shock hazard.



WARNING! Do not attempt to open or repair the fan yourself. Doing so could void the warranty and cause damage or personal injury.

Omega Altise products are distributed in Australia by MEA,
(A Division of Hagemeyer Brands Australia Pty Ltd)
ABN 28 001 375 686
Locked Bag 4013, Kingsgrove NSW 2208
Phone: 1300 739 033
Fax: 1800 838 899
Email: customerservice@meappliances.com.au
Web: meappliances.com.au