

omega
altise

Fan Heater OBR24



INSTRUCTION MANUAL

OBR24: WALL MOUNTED DOWN-FLOW FAN HEATER

Read all instructions before using this appliance. Keep them for future reference.

Safety Instructions

- This appliance is not intended for use by young children or infirm persons unless they have been adequately supervised by a responsible person to ensure that they can use the appliance safely.
- Young children should be supervised to ensure that they do not play with the appliance.
- **WARNING:** In order to avoid overheating, do not cover this heater
- The heater must not be located immediately below a socket-outlet.
- The heater must be installed so that the switches and other controls cannot be touched by a person whilst in the bath or shower.
- Special precautions must be taken when installing this heater in a damp area such as a bathroom or laundry. Such an installation must be in compliance with the Wiring Rules for Australia/New Zealand: AS/NZS 3000. We recommend that prior to installation you seek assistance from a licensed electrician to ensure that the unit is installed in compliance with these rules.
- If the supply cord is damaged, it must be replaced by the manufacturer, its service agent, or similarly qualified persons in order to avoid a hazard.
- The appliance must not be located immediately below a socket-outlet.

Installation instructions

Fixing to wall

- Select a location for mounting of the heater in accordance with Safety Instructions. The heater must be mounted on the wall with a minimum height from the floor of 1.8 metres, a minimum distance of 150mm from the ceiling and a minimum distance of 250mm from an adjacent wall. If this heater is mounted above a shelf then there must be 650mm clearance between the shelf and the outlet grille of the heater. (see figure 1).
- Remove the wall mount base from the heater (See figure 3).
- Securely fix the mounting plate to the wall surface at all 4 mounting holes, using the screws supplied.

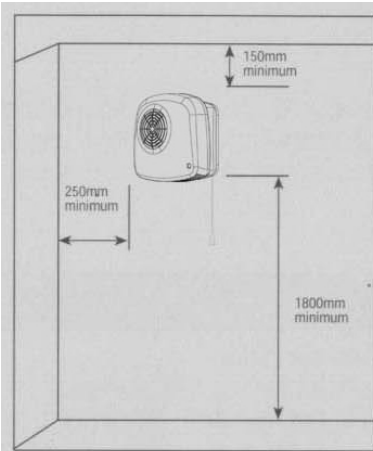


Figure 1. Installation Location.

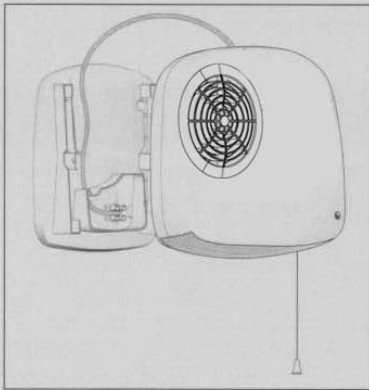


Figure 2. Ease of wiring example.

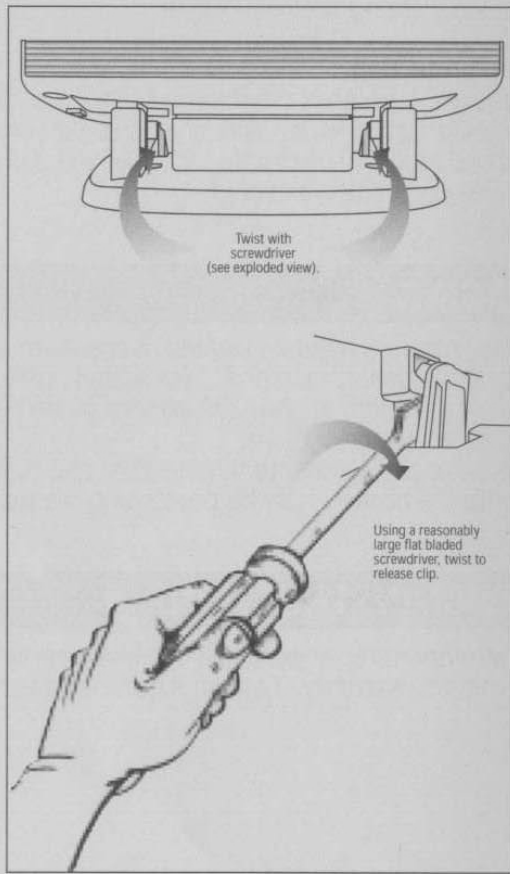


Figure 3. Releasing heater from wallmount base.

Wiring

- The heater maybe connected by either permanent wiring within the wall cavity from an isolated switch or directly into a power outlet.
- Permanent connection. The cordset can be cut to an appropriate length, which should be connected to the main supply via the terminal block that is clipped to the mounting base. For ease of installation the heater can be temporarily offset in the mounting base, i.e. fit the left hand heater rib in the right hand mounting base recess (see figure 2).
- Connect the main supply through the terminal block, check the phase is connected to the A/P terminal and the neutral is connected to the N terminal.
- Fit heater to mounting plate. Ensure clips on mounting base have locked into the heater.

Operating Instructions

Heat control

Ensure the heater has power available by turning it on at the isolation switch. Pull the pull-cord to start the heater. The neon indicator will come on showing the heater is in operation. Pull the pull-cord again to turn the heater off.

Automatic Step-down heat

When the room reaches a pre-set temperature, the heater will automatically step-down and reduce the heat output and save power. If the room cools down, the heater will automatically step-up and increase the heat output.

Overheat protection

The heater will turn itself off automatically in the event of overheating. The most common cause of overheating is deposits of dust or fluff entering the appliance. Ensure these deposits are removed regularly by cleaning the inlet and outlet grilles. The heater will re-set automatically when it has cooled down enough.

Cleaning

The heater requires regular cleaning to ensure trouble free operation:

- Turn the isolation switch off. For added protection, also turn the mains supply off.
- Use a damp cloth to clean the exterior of the heater. Do not use abrasive cleaning products on this appliance.
- Use a vacuum cleaner to remove dust and fluff from the inlet and outlet grilles.
- Ensure the heater is dry before turning the mains supply to the heater on.

Omega Seasonal and Omega Altise products are distributed in Australia by MEA,
(A Division of Hagemeyer Brands Australia Pty Ltd)

ABN 28 001 375 686

Locked Bag 4013, Kingsgrove NSW 2208

Phone: 1300739033

Fax: (02) 93708959

Email: customerservice@meappliances.com.au

Web: meappliances.com.au