

omega
altise

**OP40 & OP46
40cm and 46cm
Pedestal Fans**



**Instruction
Manual**

Important Safety Instructions

1. Read all instructions.
2. Disconnect the power plug before dismantling, assembling or before cleaning.
3. Avoid touching mobile parts of the fan.
4. Make sure the fan is on a dry and even surface.
5. Never insert fingers, pencils or any other objects though the guards whenever the power plug is connected, especially while running.
6. The appliance is not intended for use by persons (including children) with reduced physical, sensory or mental capabilities, or lack of experience and knowledge, unless they have been given supervised or instruction concerning use of the appliance by a responsible person for their safety.
7. Young children or infirm persons should be supervised to ensure that they do not play with the appliance.
8. Do not use the appliance for any other purpose than its intended use.
9. The fan must not be used if the guards are not fastened according to instructions.
10. When the power cord is damaged, it must be replaced by the manufacturer or its service agent or a similarly qualified person in order to avoid a hazard.
11. Do not use your appliance with an extension cord unless it has been checked and tested by a qualified electrician or electrical supplier.

Read all instructions before using this unit. Keep them for future reference.

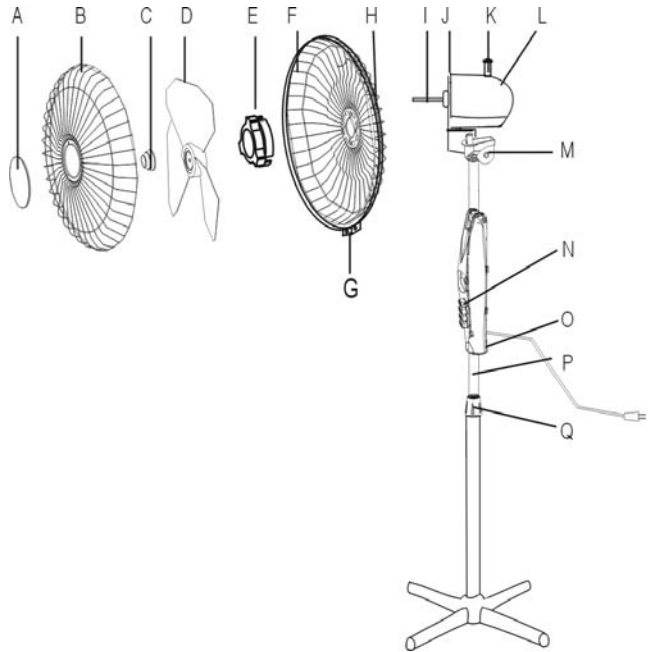
Specifications

Model	OP40	OP46
Rated Voltage	220-240V / 50Hz	
Watts	60	70
Dimensions (h x w x d) mm	1300 x 650x650	1350 x 750 x 750
Weight (carton)	4.2kg	5.0kg

Settings	3 speed	
Fan blade size	40cm	46cm
Tilt action	Tilting fan body	
Oscillating fan	Yes	
Warranty	2 year replacement	

Parts List

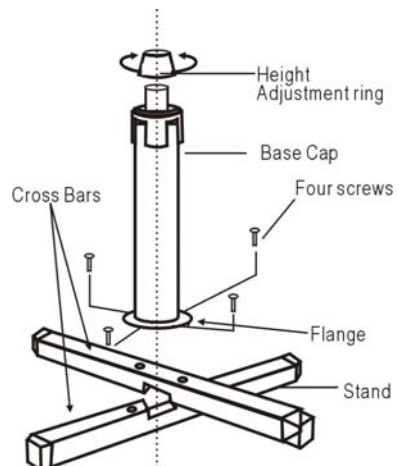
- A. Grill hub
- B. Front grill
- C. Blade cap
- D. Fan blade
- E. Locking nut
- F. Plastic band
- G. Grille screw
- H. Rear grille
- I. Motor shaft
- J. Motor housing prong
- K. Oscillation knob
- L. Motor housing
- M. Tilt adjustment knob
- N. Speed control switch
- O. Fan post screw
- P. Extension pole
- Q. Height adjustment ring



Assembly Instructions

Base Assembly

1. Remove all items of packaging from the fan.
2. Loosen and remove the four screws from cross bars. Cross the two bars as shown and align the four holes with those on the flange. This connection may require a small amount of force.
3. Secure the flange to the cross bars with the four screws.
4. Remove the height adjustment ring and slide the base cap down over the assembly. Replace the height adjustment ring.



Fan Head Assembly

1. Unscrew the blade cap and locking nut.
2. Position the rear grille over the motor shaft, making certain the 2 notches at the top and bottom of the rear grille fit over the 2 prongs on the motor housing. Make sure the rear grille fits securely against the motor housing.
3. Secure the rear grille in its place using the locking nut. Turn this nut clockwise and tighten firmly.
4. Install the fan blade onto the motor shaft until it reaches the retaining pin.
5. Secure the fan blade onto the motor shaft by turning the blade cap counter-clockwise until it is firmly in place.
6. Centre the front grille by aligning the logo on the grille hub so it is horizontal and parallel to the floor. Then secure the front and rear grilles together by snapping into place. Lastly, tighten the grille screw at the bottom of the rear grille.

Operating Instructions

1. Use in a dry place, free of excessive humidity and water.
2. To set the fan in motion press the desired button on the speed control switch:
0 = OFF 1 = LOW 2 = MEDIUM 3 = HIGH
3. Turn the switch knob to 0 and unplug the power cord when the fan is not in use.
4. For oscillation, press down on the knob at the top of the motor housing. To stop oscillation pull the knob upwards.
5. To adjust the height of the fan, loosen the Height adjustment ring on the pedestal pole of the fan, adjust to the required height and retighten.

Fan Direction Adjustment

1. Do not attempt to make any adjustment to the direction of the grille and fan assembly until the fan has been turned off and unplugged from the socket.
2. To adjust the direction of the fan, hold the grille and gently tilt the fan until the desired position is reached.
3. Plug the fan back into the socket and turn the fan on.

Care and Maintenance

1. Always disconnect the cord from the electrical outlet when cleaning your fan.
2. Light accumulated dust may be removed from the fan with a soft cloth or vacuum cleaner using the dusting brush attachment.
3. Wipe the exterior surfaces of the fan occasionally with a cloth moistened (not dripping wet) with a solution of mild soap solution. Dry the case thoroughly with a soft dry cloth before operating the fan.
4. Avoid the use of gasoline, benzine, thinner etc as they may result in damage to the fan.
5. Store the fan in a clean dry place when not in use.



CAUTION! Do not immerse the fan in water or allow water to drip into the interior of the fan housing as this could create a fire or electric shock hazard.



WARNING! Do not attempt to open or repair the fan yourself. Doing so could void the warranty and cause damage or personal injury.

Omega Altise products are distributed in Australia by MEA,
(A Division of Hagemeyer Brands Australia Pty Ltd)

ABN 28 001 375 686

Locked Bag 4013, Kingsgrove NSW 2208

Phone: 1300 739 033

Fax: 1800 838 899

Email: customerservice@meappliances.com.au

Web: meappliances.com.au